

Honeywell

H6000 Humidity Controller

PRODUCT DATA



These Humidity Controllers provide Automatic Switching control of Humidification or Dehumidification equipment. They are typically used in appliance units such as portable Humidifiers and dehumidifiers, Furnace powered Humidifiers, Fan ventilation units etc.

- ✍ Long nylon ribbon sensing element provides high driving force to assure reliable operation, even under changing ambient temperature conditions.
- ✍ Housing encloses the snap-acting switch with ¼ in. quick-connect terminals. Switch rated for line voltage and pilot operation.
- ✍ Shaft for adjusting the control point located on top of the device.
- ✍ Positive ON and OFF setting positions permit manual operation of the controlled equipment.

Model:

H6000 Humidity Controller

Switching: Spdt Snap-acting dustproof switch

Electrical Ratings:

	Dehumidifier 240 VAC	Humidifier 240 VAC
Full Load	3.85	2.2
Locked Rotor	22.8	13.2
Resistive	-	4.0

Pilot Duty: 50 VA at 24V, 120 VA at 120V or 240V

Relative Humidity Range: 20 to 80 percent.

Maximum Ambient Temperature: 52 DegC.

Setpoint Adjustment: Removable Knob.

Cover: Plastic Locking Cover.

Mounting: DIN Rail mounting.

Dimensions: approximately 80mm (W)X 95mm (H)X35mm (D)

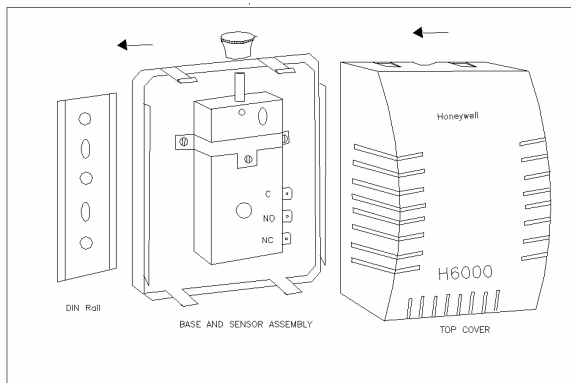
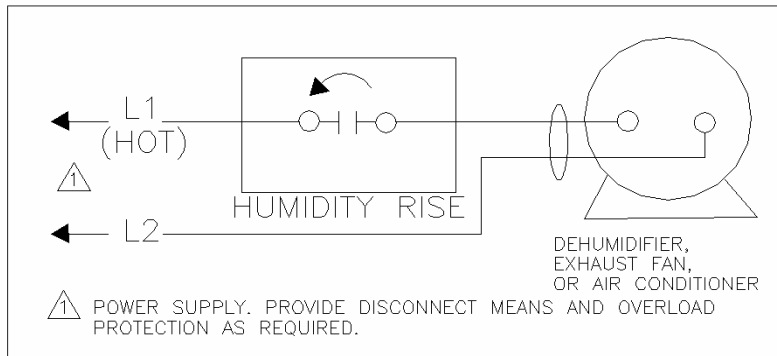


FIG.1 TYPICAL ASSEMBLY

Installation

1. Read these Instructions carefully. Failure to follow them could damage the product or a cause a hazardous condition
2. Check the ratings given in the instructions and on the product to make sure the product is suitable for your application.
3. Installer must be a trained, experience service technician.
4. After installation is complete, check out product operation as provided in these instructions.



CAUTION
Disconnect power supply before beginning installation to prevent electrical shock or equipment damage.

MOUNTING

The H6000 mount in the intake air stream of a humidifier or dehumidifier. Do not mount in outlet air.

Mount the DIN rail with self-tapping screws and snap in H6000 on the DIN rail.

WIRING

All wiring must comply with local codes and ordinances. Refer FIG.2.

OPERATION

The H6000 switch makes contact on a relative humidity rise to the set point to start dehumidifier. A decrease in relative humidity to the set minus the differential breaks the switch contact to stop the dehumidifier.

Turn the knob clockwise to the setting stop to put the dehumidifier in the ON position. Set to the OFF position by turning the control knob counterclockwise to the Stop.